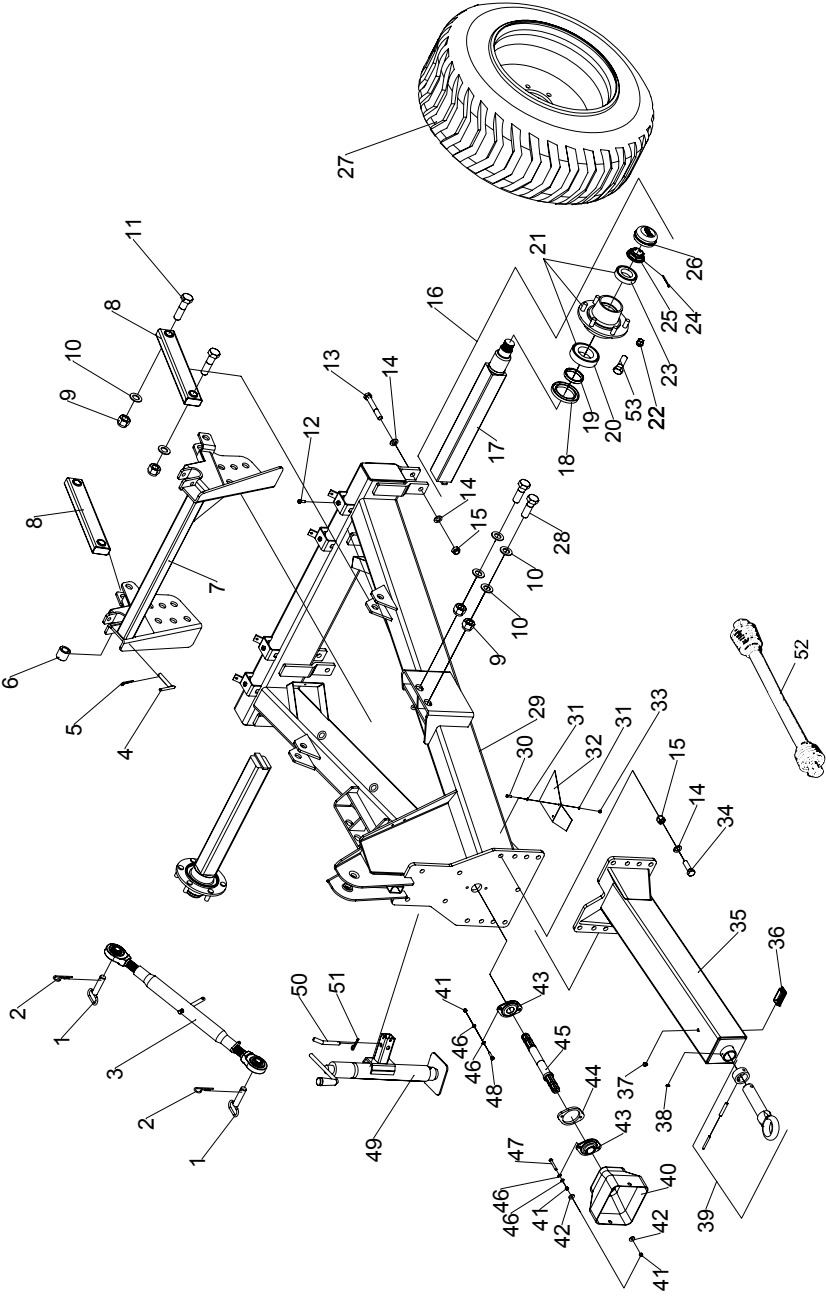


# **M3-Trail / M2-Trail Spare Parts List**

# M3-Trail Spare parts list



# M3-Trail

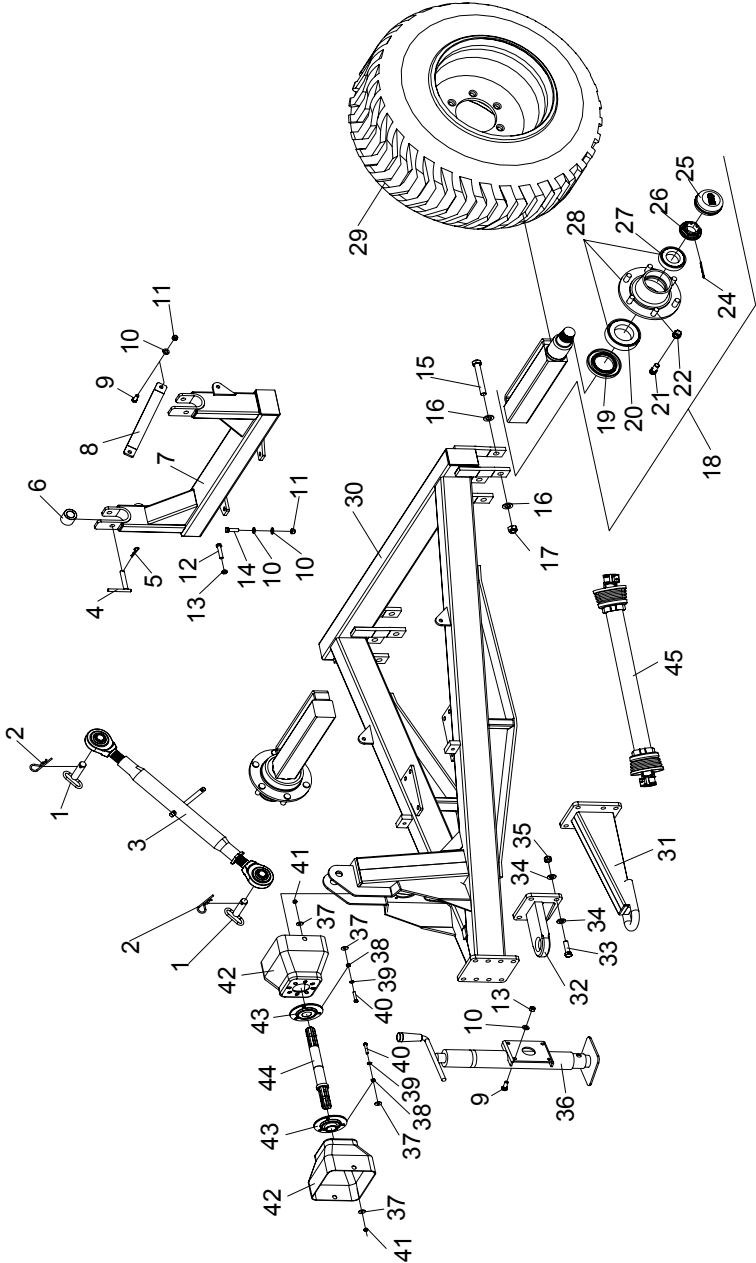
## Spare parts list



Pos. No.	Order no.	Notes	Pos. No.	Order no.	Notes
1	1811-80		47	9962-22	
2	9934-30		48	9962-21	
3	9981-80		49	1830-55	
4	1830-65		50	9524-05	
5	9934-32		51	9934-34	
6	1830-64		52	9985-41	
7	1830-70		53	9984-17	
8	1830-83				
9	9969-98				
10	9930-63				
11	9967-76				
12	9963-10				
13	9967-50				
14	9930-40				
15	9969-94				
16	1831-15				
17	9983-92				
18	9983-93				
19	9983-94				
20	9950-14				
21	9983-91				
22	9984-14				
23	9950-13				
24	9938-43				
25	9983-96				
26	9983-95				
27	9980-19	R/L			
28	9967-75				
29	1830-15				
30	9961-12				
31	9930-02				
32	1830-49				
33	9969-16				
34	9967-51				
35	1830-91				
36	9990-16				
37	9990-49				
38	9935-10				
39	9981-51				
40	9987-01				
41	9969-32				
42	2810-18				
43	9950-48				
44	1830-53				
45	1811-71				
46	9930-32				

# M2-Trail Undercarriage DZ/M1

## Spare parts list



# M2-Trail / Undercarriage DZ/M1

## Spare parts list



Pos. No.	Order no.	Notes	Pos. No.	Order no.	Notes
1	1811-80		43	9950-43	
2	9934-30		44	1811-71	
3	1811-55		45	9985-40	810 mm
4	1830-65	M2/M2W	45	9985-41	1010 mm
4	1810-70	M1/DZ			
5	9934-32				
6	1830-64	M2/M2W			
6	1811-06	M1/DZ			
7	1810-90	M2/M2W			
7	1811-10	M1/DZ			
8	1810-96	M2/M2W			
8	1810-13	M1/DZ			
9	9965-03				
10	9930-35				
11	9969-62				
12	9965-06				
13	9969-60				
14	9965-05				
15	9967-50				
16	9930-40				
17	9969-94				
18	1810-03				
19	9984-54				
20	9950-12				
21	9984-17				
22	9984-14				
24	9938-44				
25	9984-55				
26	9984-56				
27	9950-11				
28	9984-53				
29	9980-20				
29	9980-18				
30	1810-19				
31	1811-75				
32	1811-51				
33	9960-91				
34	9930-20				
35	9969-84				
36	1550-30				
37	2810-18				
38	9969-31				
39	9930-32				
40	9962-16				
41	9969-32				
42	9987-01				

---

**Notes:**

---

---

---

---

---

---

---

---

---

---

---

---

---

---

---

---

---

---

---



---

**Notes:**

---

---

---

---

---

---

---

---

---

---

---

---

---

---

---

---

---

---

---

---

---

---

---